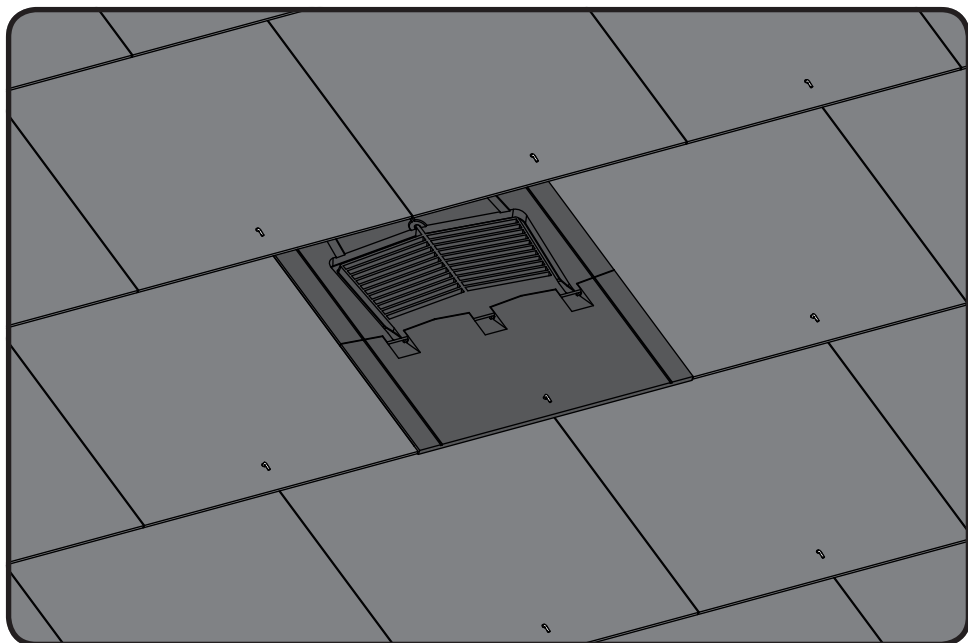


# Manthorpe

## In-Line Slate Ventilator

Fitting Instructions

MBP1058e



# In-Line Slate Ventilator

## Installation Requirements:

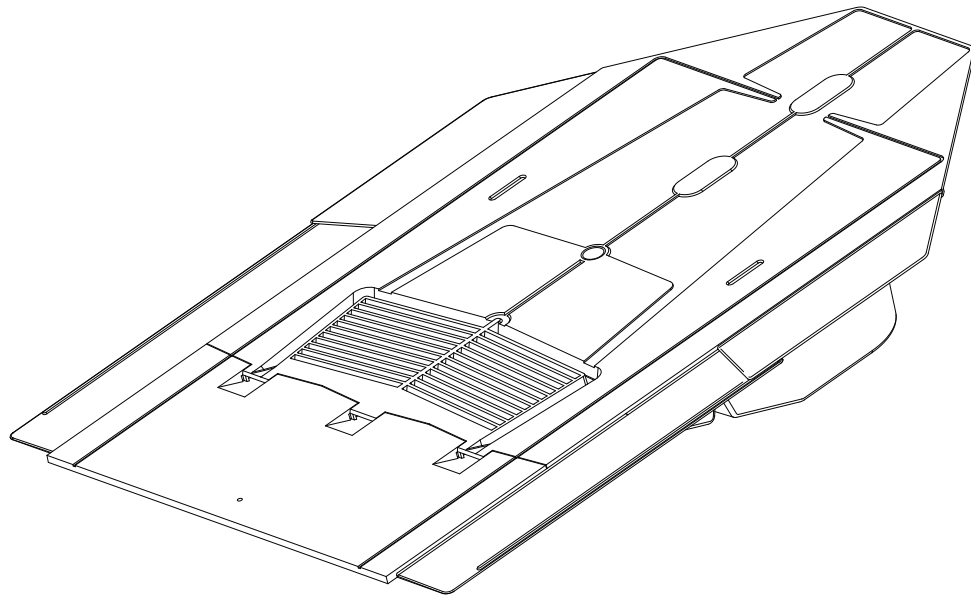
- **Minimum Roof Pitch:** 22.5°
- **Maximum Batten Gauge:** 250mm for 600 x 300mm slates  
225mm for 500 x 250mm slates
- **Free Vent Area:** 8,800mm<sup>2</sup>

The slate vent should not be used to extract hot exhaust gases, nor be placed close to any other potentially hot elements of the roof structure such as chimneys or flues.

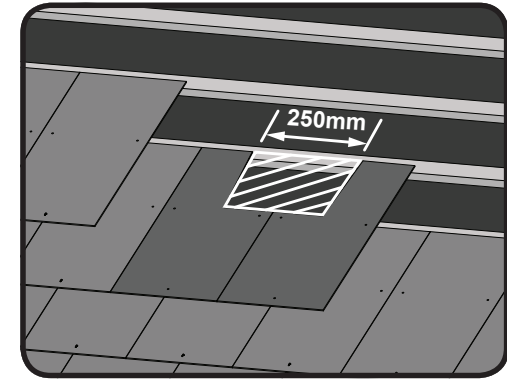
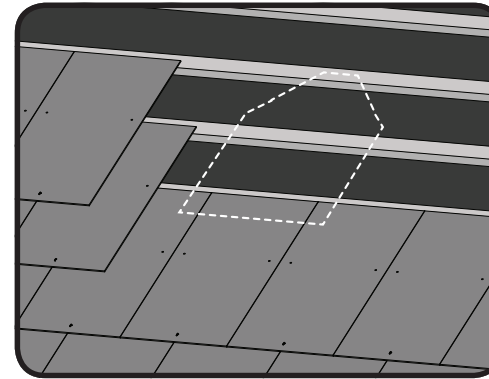
The vent cannot be situated over a rafter; the outlet must sit between two rafters.

When ventilating at high level, the vent should not be placed on the course directly below the ridge tile, at least one course of full slates must be fitted over the vent. At low level the vent should be placed high enough for the internal spigot to clear the insulation layer within the roof space.

For mechanical extraction, use in conjunction with the Manthorpe **GRPA Flexible Pipe**.



## In-Line Slate Ventilator Installation Guide:

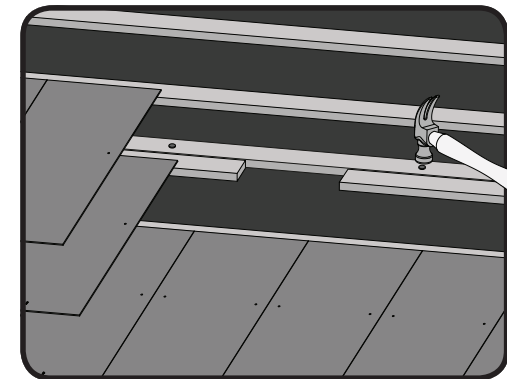
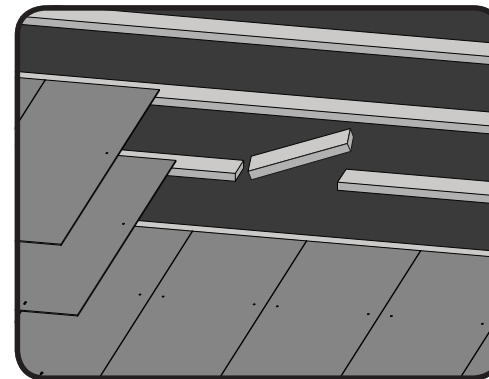


1. Prepare the roof in the conventional manner, finishing two courses below where the vent is intended to be installed. Lay the two slates on the course directly below where the vent will be, but do not fix them in place.

2. On the two slates, mark out an area that is 250mm wide (125mm per slate) and as far down as the top edge of the slates on the course below, as shown above.

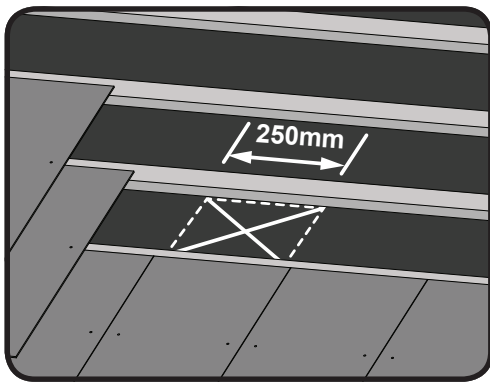
Trim the slates to remove these areas.

**If using 500 x 250mm size slates, continue to Step 3, for a larger format 600 x 300mm slates, proceed to Step 5.**

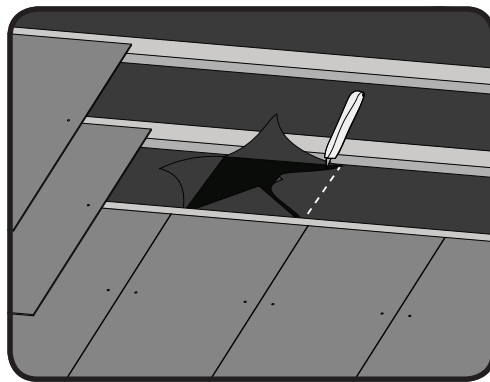


3. Smaller 500 x 250mm slate sizes require the batten to be cut. Using the trimmed slates as a guide, mark out the section of batten that needs to be removed and cut it out.

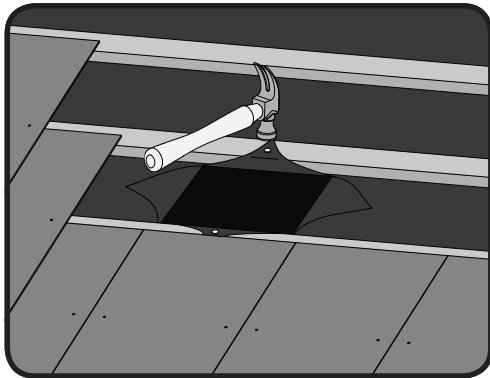
4. Refit a secondary batten length above the area that has been removed. This offset batten should be supported across 3 rafters, primarily the two adjacent to the vent. Ensure this batten is nailed in place.



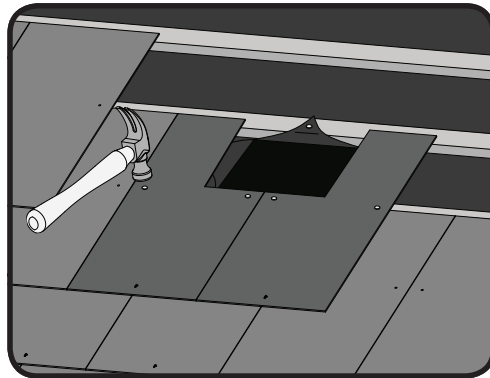
**5.** Using the trimmed slates as a guide, mark a box on the underlay below, join the corners diagonally with an 'X'.



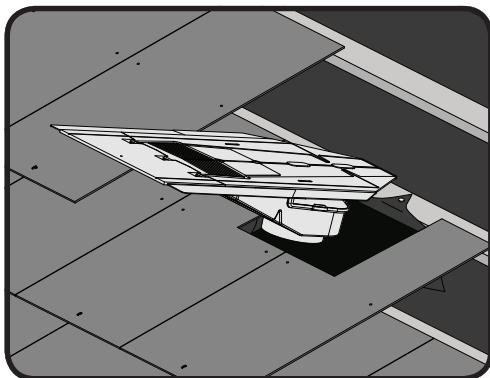
**6.** Cut the underlay along the diagonal X lines and fold back the triangular tabs to reveal the spigot opening.



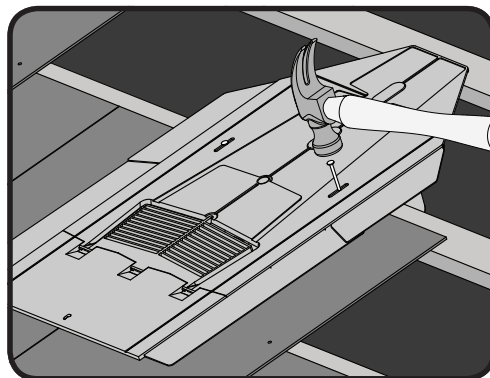
**7.** Fold the upper and lower tabs tight up against the battens and secure in position with a staple or tack.



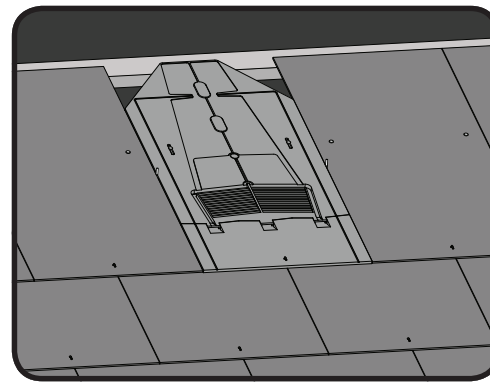
**8.** Replace the cut slates and securely fix them in position ensuring that the vent penetration is left unobstructed.



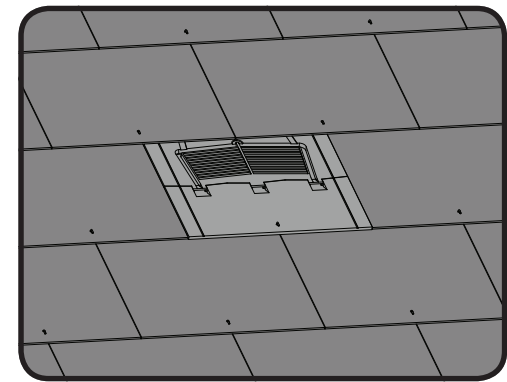
**9.** Slot the vent into position, allowing the base to pass below the batten. Align the vent centrally with the slates below.



**10.** Nail the vent into position through the two fixing slots provided. A disc rivet should be used to secure the front edge.

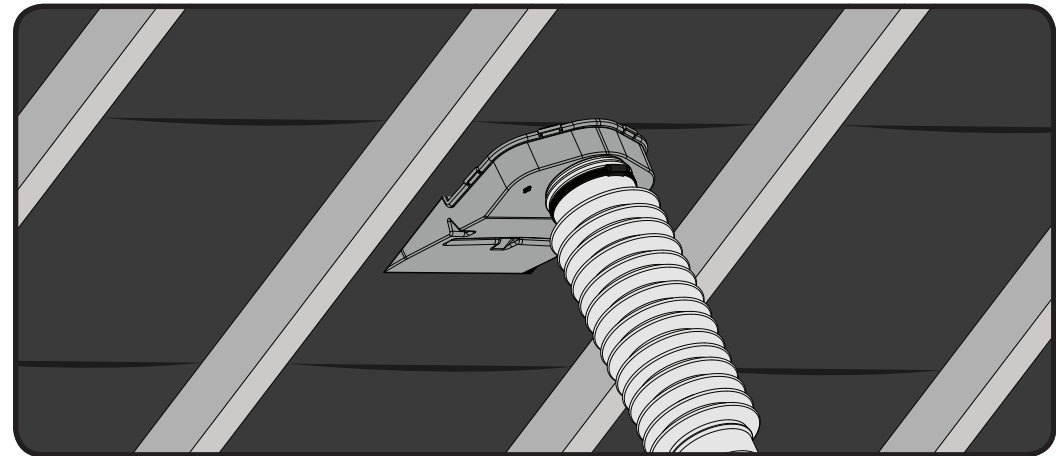


**11.** Fit the adjacent slates, lapping them over the edge skirt and up to the side of the vent (with 500 x 250mm slates trim the 2 adjacent slates down by 25mm to fit around the vent). If using disc rivets for the surrounding slates, these can be installed into the slot on the sides of the vent. Fix the adjacent slates and continue along the course in the usual manner.



**12.** Install the slates above the vent as normal, when using larger 600 x 300mm formats there is no requirement to trim the slates above.

If using the vent with 500 x 250mm slates, some trimming of the slates directly above the vent may be required to ensure they do not obstruct the grille opening.

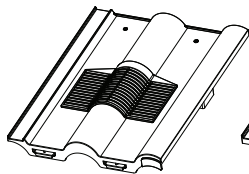


**13.** If you wish to use the terminal for mechanical extraction, soil stack ventilation or with other ducted ventilation systems, first install the vent as instructed and then locate the outlet within the loft space. The GILSV30-25 has an integral 4" diameter circular outlet on its base which can connect directly on to a Manthorpe GRPA Flexible Pipe or to other standard 4" diameter ducting. To fit, simply align the GRPA or alternative ducting pipe with the outlet and push over, securing it in place with a jubilee clip.

**NOTE:** To comply with the BRE Report 262, it is recommended that the GRPA pipes and other ducting systems should be fully insulated along its total length within the roof space to avoid the risk of internal condensation.

# The Complete Range

Profiles available from the Manthorpe range of tile ventilators

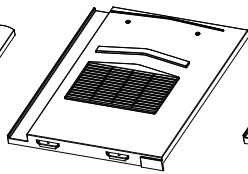


## Double Roman

Code: GTV-DR

*For use with:*

Marley Double Roman  
Redland Double Roman  
Sandtoft Double Roman  
Russell Double Roman  
Lagan Double Roll

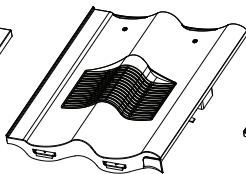


## Non-Profile

Code: GTV-NP

*For use with:*

Marley Modern  
Redland Mini Stonewold  
Sandtoft Caderdale  
Russell Grampian  
Lagan Flat

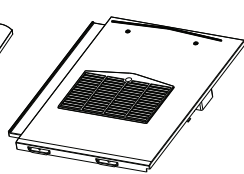


## Double Pantile

Code: GTV-DP

*For use with:*

Marley Mendip  
Redland Grovebury  
Sandtoft Double Pantile  
Russell Pennine

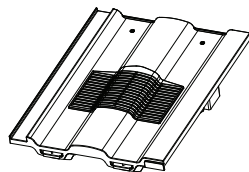


## Thin Leading Edge

Code: GTV-TE

*For use with:*

Marley Edgemere  
Redland Richmond  
Sandtoft TLE  
Russell Galloway  
Lagan Elite

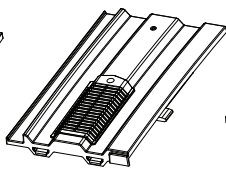


## Castellated

Code: GTV-CS

*For use with:*

Marley Ludlow Major  
Redland Renown  
Sandtoft Lindum  
Russell Cheviot  
Lagan Square Top

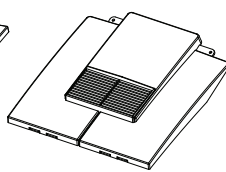


## Mini Castellated

Code: GTV-MC

*For use with:*

Marley Ludlow Plus  
Redland 49  
Sandtoft Standard Pattern  
Forticrete V2

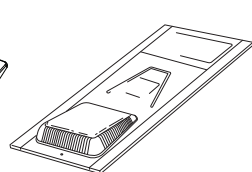


## Plain Tile

Code: GTV-PT

*For use with:*

Concrete and traditional clay plain tiles.  
Also available with a granular finish



## Hooded Slate Vent

Code: GRSV30-25

*For use with:*

Man-made and natural slates.  
500 x 250mm up to 600 x 450mm sizes available.

Other products available from Manthorpe Building Products include; Cavity Trays, Cavity Closers, Loft Access Doors, Roof Ventilation, Through Wall Ventilation, Air Leakage and Dry Fix Roofing Products.



## Manthorpe Building Products Limited

Manthorpe House, Brittain Drive, Codnor Gate Business Park, Ripley, Derbyshire DE5 3ND

T: (01773) 303 000 F: (01773) 303 300 E: mbp.care@manthorpebp.co.uk

W: www.manthorpebp.co.uk